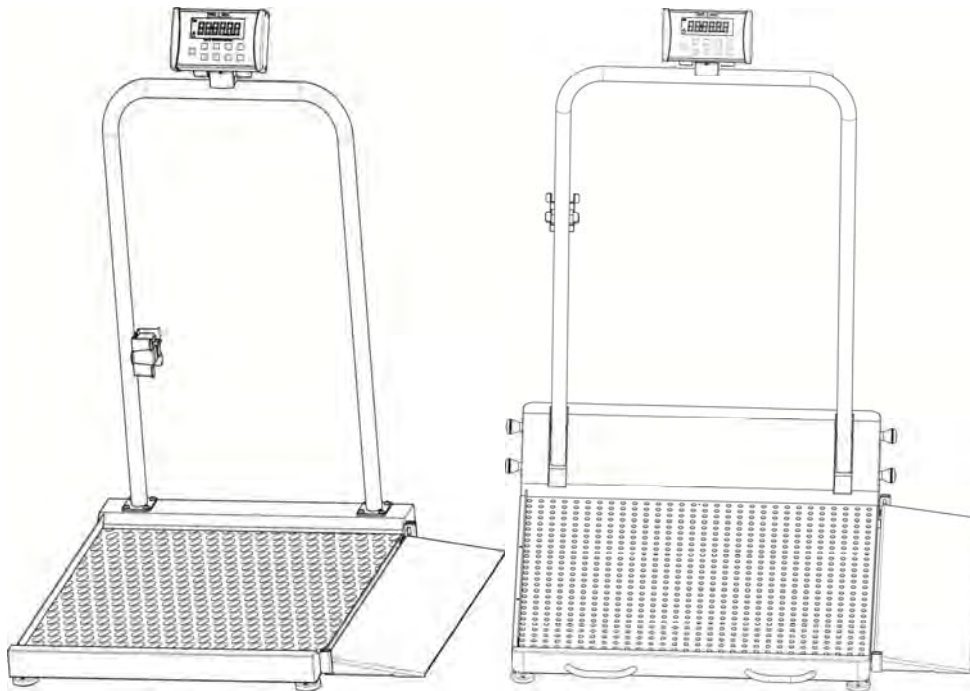




Model 2500KL / 2600KL Digital Patient Wheelchair Scales



User Instructions

Thank you for your purchase of this Health o meter® Professional product. Please read this manual carefully, and keep it for easy reference or training.

TABLE OF CONTENTS

Caution and Warning.....	3
Specifications for These Scales	4
Certifications / Connectivity / Disposal	5
Assembly Instructions 2500KL Scale	6
Assembly Instructions 2600KL Scale	14
Setup / Batteries	19
Quick Start Instructions	21
Maintenance.....	25
Calibration	26
Troubleshooting	27
Warranty.....	28

Note: These scales have been factory calibrated, and does not require calibration prior to use.

Please register your scale for warranty coverage at:

<http://www.homscales.com/customer/registration.aspx>

For User Instructions updates and revisions, please go to:

<http://www.homscales.com>

CAUTION AND WARNING

- To prevent injury and damage to your scale, please follow these instructions very carefully.
- Assemble and operate the scale per the enclosed user instructions.
- Operate these scales exclusively with the AC adapter provided by Health o meter. Use of an unspecified adapter will void the warranty, and can pose a serious safety hazard.
- Prior to using these scales, inspect the AC adapter cord for cracking/fraying, or for broken/bent plug prongs.
- Prior to using these scales, ensure that the AC adapter is plugged into an outlet with the rated voltage appropriate for operation.
- Ensure that the AC adapter outlet is wired to a circuit breaker or other protected power source.
- Unplug the AC adapter, and carefully store both the adapter and adapter cord before moving the scale.
- Ensure that the AC adapter and scale do not come in contact with liquids, excessive temperature, or excessive humidity.
- Operating these scales at voltages and frequencies other than specified can damage the equipment and will void the warranty.
- Do not transport the scale with any weight on the platform.
- Do not exceed recommended weight limit of 1000 lb / 454 kg for these scales.
- For accurate weighing, these scales must be placed on a flat, stable surface.
- For accurate weighing, verify before each use the proper operation according to the procedure described in this manual.
- Do not use in the presence of flammable or explosive materials.
- For accurate weighing, if the “Lo bAtt” indicator activates, replace the batteries or switch to the AC adapter as soon as possible.
- When replacing / inserting batteries, be sure to use all new batteries.
- To prevent patient injury, the patient must be attended throughout the entire weighing event.
- If the scale is being connected to another medical device, the power adapter must not be used. Disconnect the power adapter from the scale and use only the battery power.

SPECIFICATIONS FOR THESE SCALES

General

The Model 2500KL and 2600KL Patient Scales use highly sophisticated microprocessor technology. Each precision scale is designed to provide accurate, reliable, and repeatable weight measurements. In addition, each scale is designed to provide the user with features that make the weighing process simple, fast, and convenient.

These scales are set up to use motion-sensing weighing technology in order to determine the actual weight of a moving patient.



Weight can be displayed in pounds (lb) or in kilograms (kg). These scales feature a 180° swivel display head for privacy and for easy operator reading from either side of the scale. For easy mobility, the 2500KL Scale has 2 built-in wheels, along with the 2600KL Scale with 4 built-in wheels. **Each scale can be powered using an AC adapter (included), or by 6 - AA batteries (not included).**

2500KL / 2600KL Specifications

Capacity and Resolution	2500KL / 2600KL: 1000 lb x 0.2 lb (454 kg x 0.1 kg)	
Power Requirements	120V-240V AC, 50-60Hz-9V DC adapter or 6 - AA batteries	
Environmental	Operating temperatures: 50°F to 95°F (10°C to 35°C) Storage temperatures: 30°F to 125°F (0°C to 50°C) Maximum Humidity: 85% RH	
Physical Dimensions	Platform-2500KL Length: 29- ¹ / ₄ " (74.3 cm) Width: 28- ¹ / ₄ " (71.8 cm) Height: 2- ¹ / ₄ " (5.7 cm)	Assembled Size and Weight Length: 36- ³ / ₄ " (93.3 cm) Width: 40- ¹ / ₄ " (102 cm) Height: 49- ⁷ / ₁₆ " (125.5 cm) Weight: 79 lb (36 kg)
Physical Dimensions	Platform-2600KL Length: 36- ¹ / ₄ " (92 cm) Width: 32- ³ / ₈ " (82.2 cm) Height: 2- ¹ / ₄ " (5.7 cm)	Assembled Size and Weight Length: 42- ³ / ₄ " (108.5 cm) Width: 46- ⁷ / ₁₆ " (118 cm) Height: 49- ⁷ / ₁₆ " (125.5 cm) Weight: 110 lb (50 kg)

CERTIFICATIONS / CONNECTIVITY / DISPOSAL

Certification Descriptions

	Pelstar, LLC has been officially certified as the manufacturer of Health o meter® Professional medical devices. The Pelstar, LLC quality assurance system covers the development, production, sales and service of medical scales and measuring systems.
	This product is tested to and meets the requirements of: 1. UL60601-1 First Edition: Safety for Medical Electrical Equipment 2. CSA C22.2 No. 601-1 M90: Medical Electrical Equipment

2500KL / 2600KL Scale Connectivity Information

To enable reliable transmission of weight, height, and Body Mass Index (BMI) data, these scales are designed to connect to a computer, monitor, or other electronic device via a built-in USB port. This connectivity helps minimize a source of potential medical errors caused by incorrectly copying and then recording patient data.

These scales are EMR-EHR compatible. For more information regarding how to connect these scales to other electronic devices, please contact Health o meter® Professional Scales Technical Support, available during normal business hours at 1-800-683-3722.

2500KL / 2600KL Scale Disposal



These Health o meter® Professional scales must be disposed of properly as electronic waste. Follow the national, regional or local regulations which apply to you for disposal of electronic waste or batteries. Do not dispose of this device in the domestic waste stream.

2500KL ASSEMBLY INSTRUCTIONS

Before Assembly

Each 2500KL scale is shipped disassembled in a single carton. Carefully inspect the carton for shipping damage before unpacking. If damage is found, contact your shipper or a Health o meter® Professional representative immediately at 1-800-815-6615. Claims must be filed with the shipper as soon as possible after receipt of the package. The following information details what you will find inside the main carton as you unpack the parts for assembly.

To prevent scratching any components, carefully remove each assembly from the carton and unwrap the packing materials. Set the carton aside for storage. To avoid damaging the scale parts when unpacking, do not use a box cutter, knife, scissors, or any sharp object to open the protective inner packaging.

Parts List

- (1) Scale platform
- (1) Handrail
- (1) Small brown box

The small brown box contains:

- (1) Box containing the AC adapter
- (4) Feet
- (1) Long white box
- (1) 5mm Allen wrench
- (1) User Information
- (1) Display assembly
- (1) Plastic bag containing:
 - (2) Covers for Display Support (Front & Back)
 - Hardware for assembly (see Figure 1)

The long white box contains:

- (1) AC adapter holder
- (2) Pivot bracket screw covers.

Tools Required

Phillips head screwdriver (not included), Allen wrenches (included).

2500KL ASSEMBLY INSTRUCTIONS (CONTINUED)

Assembling the 2500KL Scale (Refer to Figures 1-7)

Caution: It is recommended that the assembly be performed by two persons.

1. Place scale platform on a flat, level, and dry surface.
2. Locate and pick up the handrail. Find the load cell cable, located at the bottom of the handrail (see Figure 5).
3. Untie the load cell cable, and carefully pull the load cell cable end out the handrail bottom.
4. Position the handrail over the left and right handrail mounting holes array on the platform (see Figure 3).
5. Feed the cable through the large center hole of the handrail mounting holes (located on the right side of the "Health o meter" logo). Be sure not to pinch the cable.
6. Fasten the handrail to the platform using the (8) M8 1.25 x ¾ screws, (8) M8 washers (D) and the included 5mm Allen wrench (see Figure 1).

Caution: Do not over-tighten the screws.

7. Pull forward on the handrail to tip the scale over, and gently place it face down on the floor.

Caution: Take care to hold the ramp down when moving the scale - the ramp can flip open when the scale is tipped forward.

8. Grasp the load cell cable protruding from the bottom of the platform and feed it through the protective metal shield. Plug the cable's load cell connector into the load cell port (see Figure 4).
9. Pull the excess cable through the top of the handrail.
10. Thread the (4) feet into the underside of the platform. Each of the feet should be completely hand tightened. Back feet out 1-½ full turns. This will allow for proper load cell operation and scale accuracy (see Figure 5).
11. Carefully tilt the scale back to an upright position on the floor.

Caution: Take care to hold the ramp down when moving the scale - the ramp can flip open when the scale is tipped back.

Warning: Do not drop the scale on its feet. This can result in permanent load cell damage.

12. Adjust the feet to level the scale. Be certain that the feet are not completely tightened into the base assembly (refer to the scale platform - feet assembly instruction above).
13. Rotate the display support so that it is perpendicular to the handrail (see Figure 6). Position the display assembly close to the display support. Plug the load cell cable connector into the load cell port on the rear of the display assembly. The port is labeled "LOAD CELL" (see Figure 7).

Note: Do not attach the AC adapter power cord into the back of the display assembly at this point.

2500KL ASSEMBLY INSTRUCTIONS (CONTINUED)

14. Align the four mounting holes on the back of the display assembly with the four mounting holes in the display support. Fasten the display assembly onto the metal display support. Use the (4) Phillips pan head #5 x 3/8 screws (see Figure 1).

15. Place the pivot bracket screw covers over the pivot screws. Fasten the covers to the back of the display assembly using the (4) Phillips pan head #5 x 3/8 screws (see Figure 1).

16. Attach the adapter holder to the left side of the handrail using the (2) #8 x 1/2 sheet metal screws (see Figure 1).

17. Connect the AC adapter to the power port, located on the back of the display assembly.

Caution: Do not plug the scale into a power source until the scale is fully assembled.

18. Rotate the display to align it parallel to the handrail. Attach the front and rear display support covers by applying light pressure while snapping the covers into place.

19. The scale is now assembled. Plug the AC adapter into a power source and / or insert the batteries.

2500KL ASSEMBLY INSTRUCTIONS (CONTINUED)

Ramp Assembly Instructions

1. Follow these instructions for moving the ramp to the opposite side of the scale, or for adding a second ramp to the scale (B2500RAMP option):
2. On the side of the platform opposite to the ramp, remove the guardrail mounted to the end of the platform by unscrewing and then removing the 4 guardrail assembly screws (see Figure 3).
3. Fold the ramp onto the platform surface.
4. Remove the screws attaching the 2 rubber bumpers, located on the side of the platform (see Figure 2).
5. Remove the bumpers, and re-install them on the opposite side of the platform. Use the appropriate mounting holes (see Figure 2).
6. Loosen the screws holding each ramp holder to the platform.
7. Remove the ramp from the ramp holders. Remove the ramp holders by pulling out on them slightly.
8. Install the ramp holders at the opposite side of the platform, but do not tighten the screws.
9. Insert the ramp between the ramp holders, and tighten the assembly screws.
10. Install the guardrail on the opposite side of the platform.

Note: It is necessary to make small clearance holes in the mat in order to re-install the guardrail assembly screws (the mounting holes are located beneath the mat). Use an awl or small Phillips screwdriver to make the holes. Use the guardrail as a guide to locate the two holes beneath the mat.

Note: A second ramp is available separately as B2500RAMP.

2500KL ASSEMBLY INSTRUCTIONS (CONTINUED)

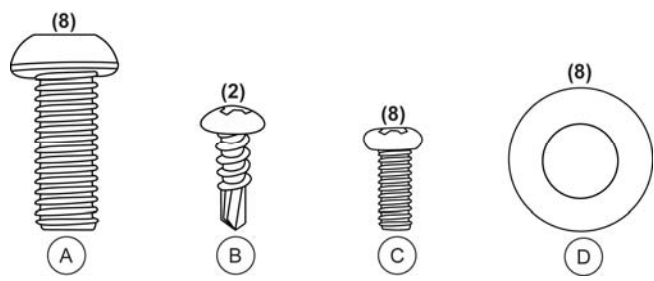


Figure 1

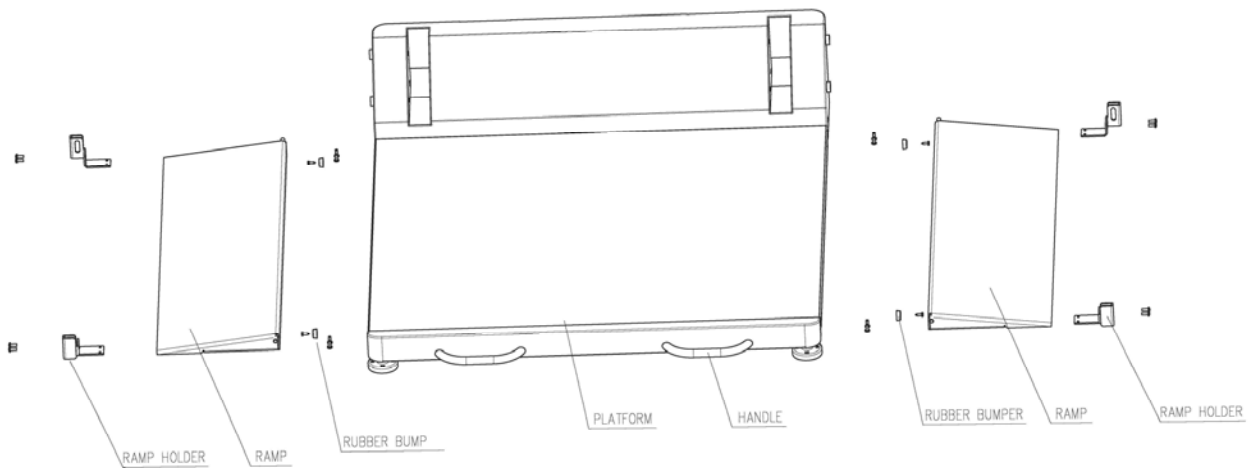


Figure 2

2500KL ASSEMBLY INSTRUCTIONS (CONTINUED)

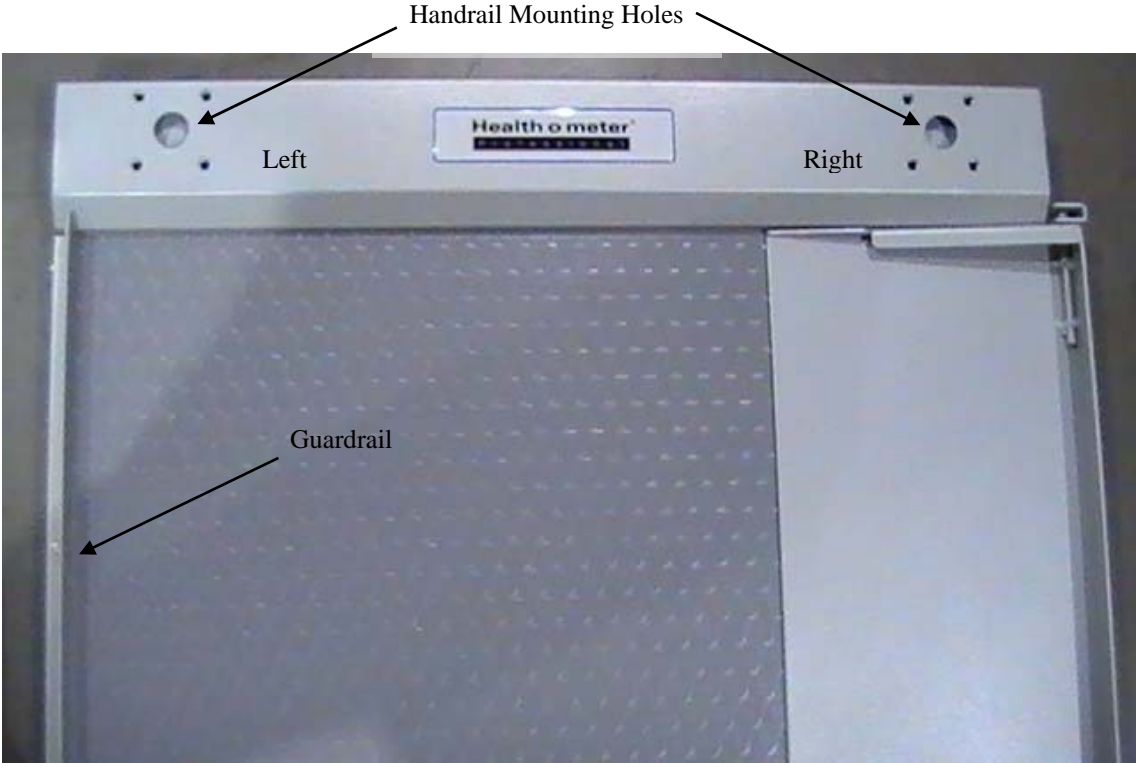


Figure 3

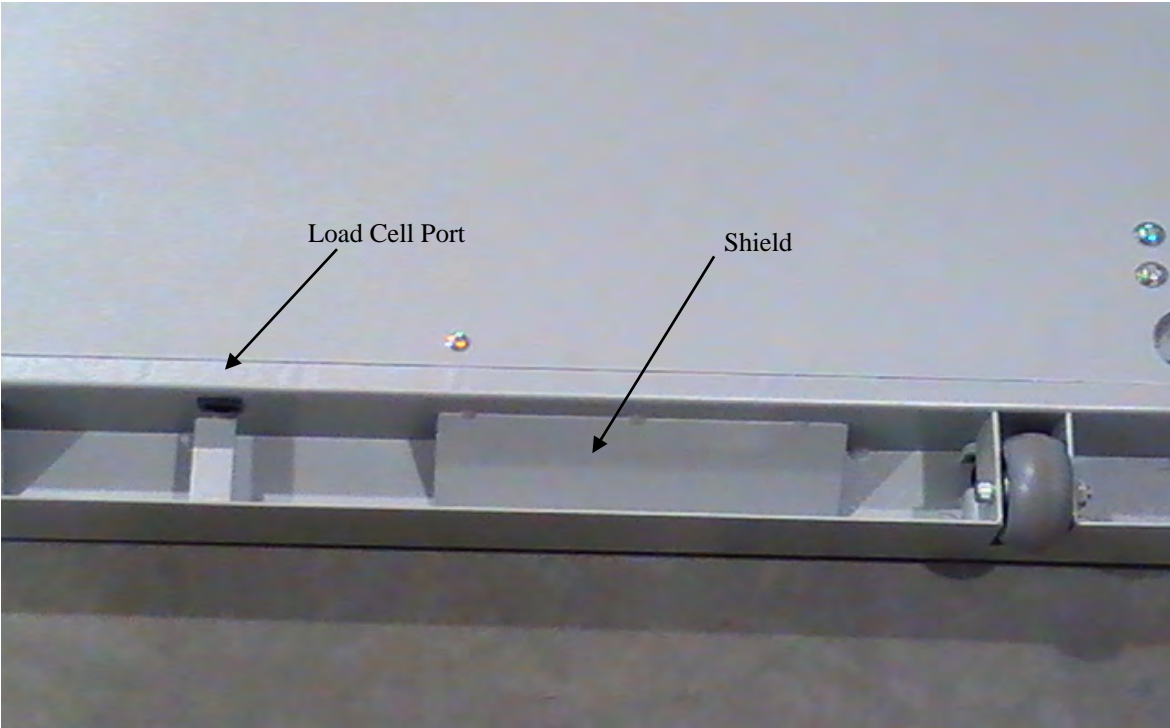


Figure 4

2500KL ASSEMBLY INSTRUCTIONS (CONTINUED)

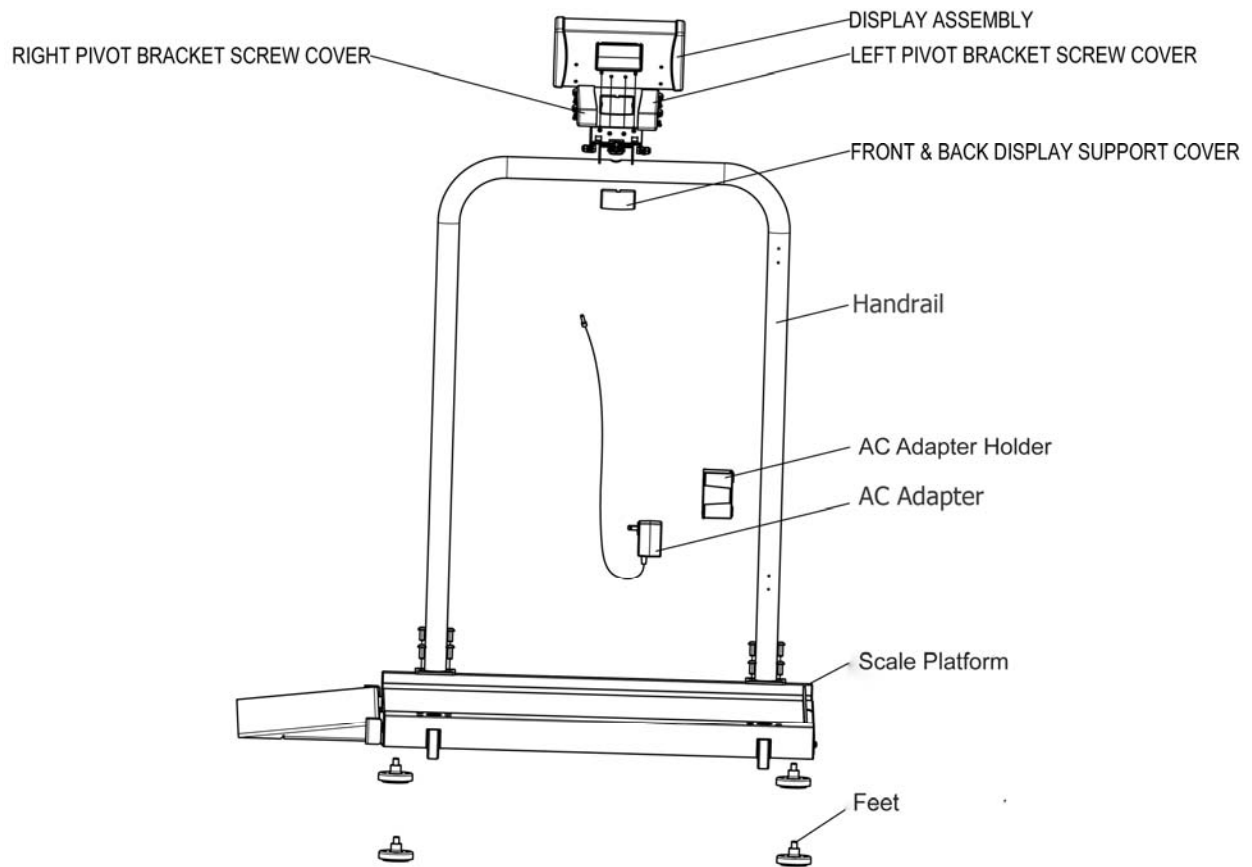


Figure 5

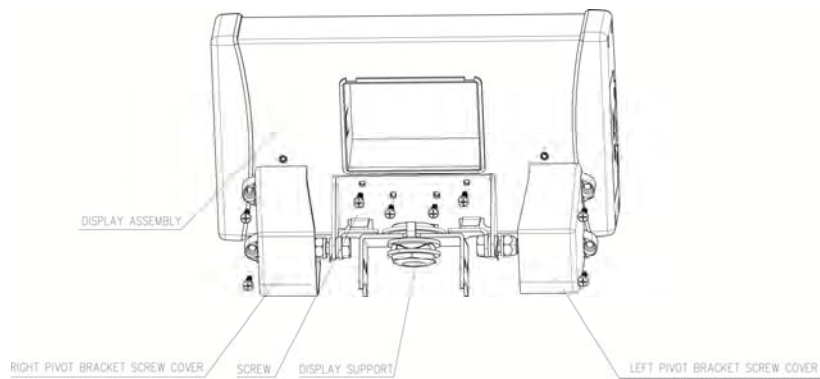


Figure 6

2500KL ASSEMBLY INSTRUCTIONS (CONTINUED)



Figure 7

2600KL ASSEMBLY INSTRUCTIONS

Before Assembly

Each 2600KL scale is shipped disassembled in a single carton. Carefully inspect the carton for shipping damage before unpacking. If damage is found, contact your shipper or a Health o meter® Professional representative immediately at 1-800-815-6615. Claims must be filed with the shipper as soon as possible after receipt of the package. The following information details what you will find inside the main carton as you unpack the parts for assembly.

To prevent scratching any components, carefully remove each assembly from the carton and unwrap the packing materials. Set the carton aside for storage. To avoid damaging the scale parts when unpacking, do not use a box cutter, knife, scissors, or any sharp object to open the protective inner packaging.

Parts List

(1) Scale platform

(1) Small brown box

The small brown box contains:

- (1) Box containing the AC adapter
- (4) Feet
- (1) Long white box
- (1) User Information
- (1) Display assembly
- (1) Plastic bag containing:
 - (2) Covers for Display Support (Front & Back)
 - Hardware for assembly (see Figure 1)

The long white box contains:

- (1) AC adapter holder
- (2) Pivot bracket screw covers.

Tools Required

Phillips head screwdriver (not included).

2600KL ASSEMBLY INSTRUCTIONS (CONTINUED)

Assembling the 2600KL Scale (Refer to Figures 7-10)

Caution: It is recommended that the assembly be performed by two persons.

1. Remove the scale assembly from the carton by first removing the inserts, then tucking the bag down around the end of the box, and finally tilting the carton up on its end. Carefully roll the scale out of the carton.
2. Remove the bag from around the scale, and safely store or discard the bag.
3. Thread the (4) feet into the underside of the scale platform (see Figure 8). Each foot should initially be completely hand tightened. Back feet out 1-½ full turns. This will allow for proper load cell operation and scale accuracy.
4. Open the scale to its operational position.

Warning: Do not drop the scale on its feet. This can result in permanent load cell damage.

5. Rotate the display support so that it is perpendicular to the handrail.
6. Position the display assembly close to the display support on the handrail. Connect the load cell cable connector to the load cell port, located on the back of the display assembly. The port is labeled "LOAD CELL" (see Figure 7).

Note: Do not attach the AC adapter power cord into the back of the display assembly at this point.

7. Align the four mounting holes on the back of the display assembly with the four mounting holes in the display support, and fasten the display assembly onto the metal display support using the (4) Phillips pan head #5 x 3/8 screws (see Figure 9).
8. Place the pivot bracket screw covers over the pivot screws, and fasten the covers to the back of the display assembly using the (4) Phillips pan head #5 x 3/8 screws.
9. Connect the AC adapter to the power port, located on the back of the display assembly.

Caution: Do not plug the scale into a power source until the scale is fully assembled.

10. Rotate the display assembly to align it parallel to the handrail, and then attach the front and rear display support covers by applying light pressure while snapping the covers into place.
11. Make any necessary adjustments to level the scale by turning the feet in or out.
12. The scale is now assembled. Plug the AC adapter into a power source and / or insert the batteries.

2600KL ASSEMBLY INSTRUCTIONS (CONTINUED)

Ramp Assembly Instructions

1. Follow these instructions for moving the ramp to the opposite side of the scale, or for adding a second ramp to the scale (B2600RAMP option):
2. On the side of the platform opposite to the ramp, remove the guardrail mounted to the end of the platform by unscrewing and then removing the 4 guardrail assembly screws (see Figure 3).
3. Fold the ramp onto the platform surface.
4. Remove the screws attaching the 2 rubber bumpers, located on the side of the platform (see Figure 10).
5. Remove the bumpers, and re-install them on the opposite side of the platform. Use the appropriate mounting holes (see Figure 10).
6. Loosen the screws holding each ramp holder to the platform.
7. Remove the ramp from the ramp holders. Remove the ramp holders by pulling out on them slightly.
8. Install the ramp holders at the opposite side of the platform, but do not tighten the screws.
9. Insert the ramp between the ramp holders, and tighten the assembly screws.
10. Install the guardrail on the opposite side of the platform.

Note: It is necessary to make small clearance holes in the mat in order to re-install the guardrail assembly screws (the mounting holes are located beneath the mat). Use an awl or small Phillips screwdriver to make the holes. Use the guardrail as a guide to locate the two holes beneath the mat.

Note: A second ramp is available separately as B2600RAMP.

2600KL ASSEMBLY INSTRUCTIONS (CONTINUED)

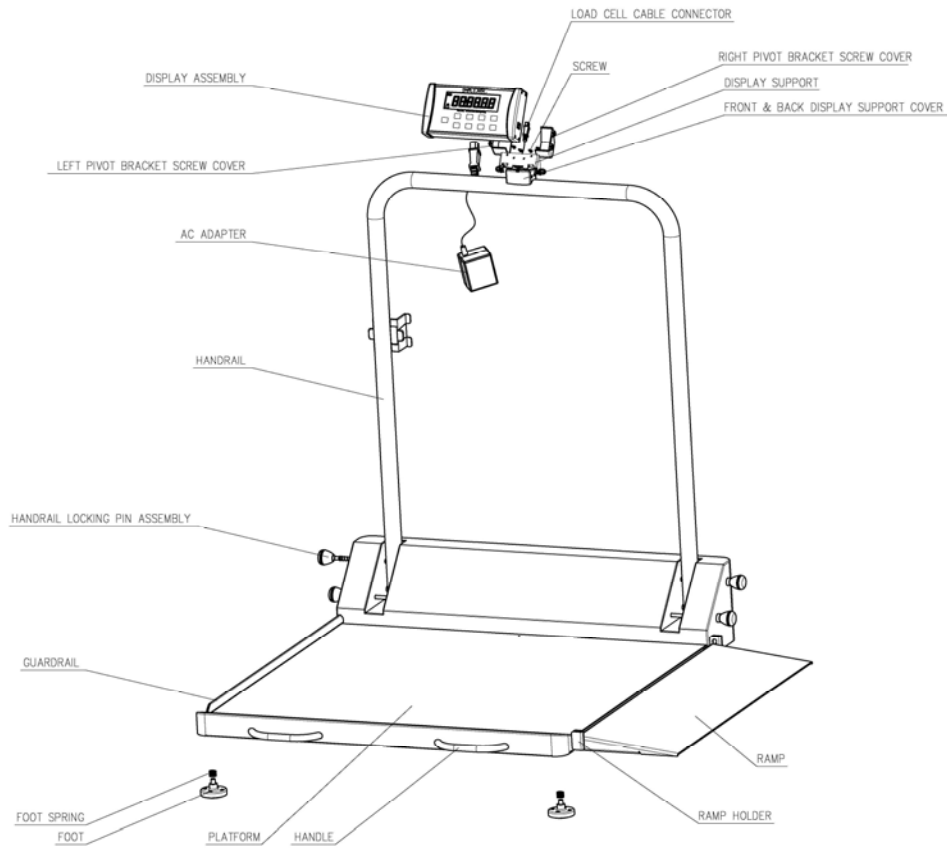


Figure 8

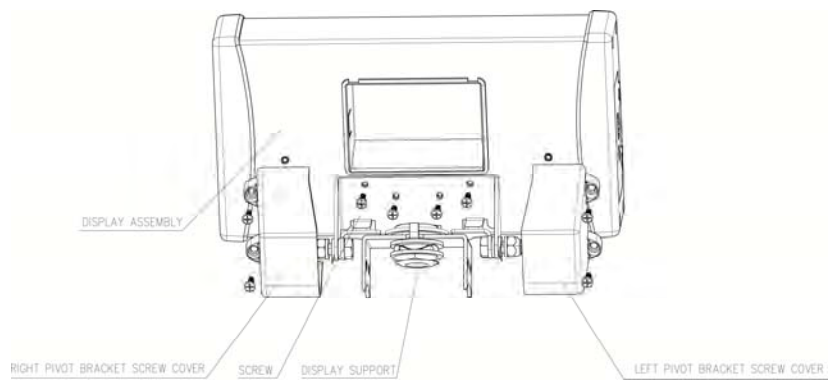


Figure 9

2600KL ASSEMBLY INSTRUCTIONS (CONTINUED)

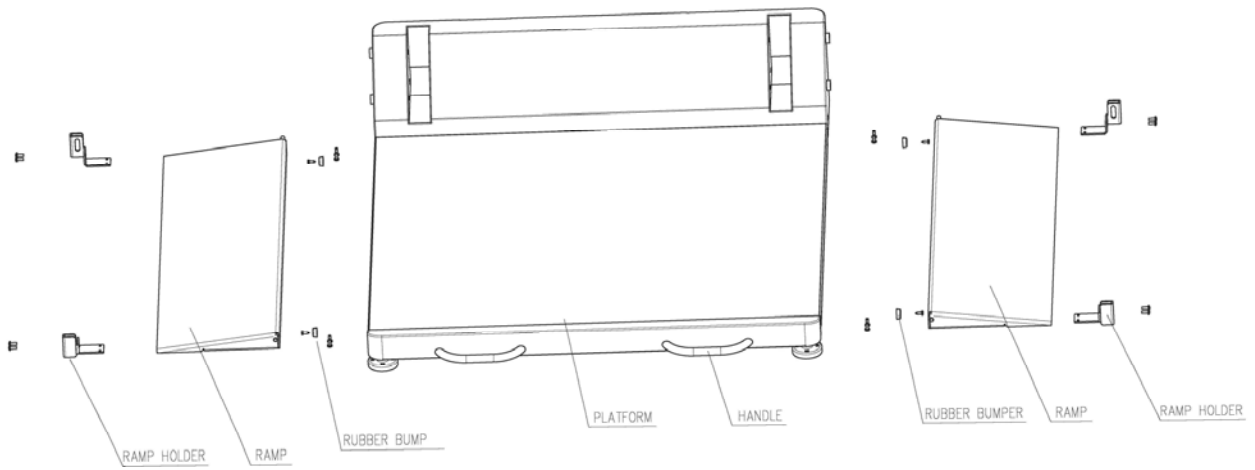


Figure 10

SETUP / BATTERIES

Opening the 2600KL Scale

1. From its upright folded position, gently lower the scale onto its feet. Use the scale handles, located on the front of the platform (see Figure 10).

2. Loosen all four of the handrail locking pin assemblies by turning the locking pins counterclockwise (see Figure 8).

Note: The assemblies are spring loaded, and will pop out when completely loosened.

3. Grasp the center handrail near the display assembly, and lift the handrail to an upright position.

4. Lock the center handrail in the upright position by tightening the two upper handrail locking pin assemblies. In addition, to avoid damage to the pin assemblies, tighten the two lower locking pin assemblies as well.

Preparing the 2500KL / 2600KL Scale for Use

1. Remove the protective plastic film covering the display (the film says “FACTORY CALIBRATED”).

2. Place batteries into the battery holder (see “Replacing / Inserting Batteries” information below).

3. Connect the AC adapter into the adaptor jack on the display assembly.

4. Plug the scale’s AC adapter into the power source.

5. Ensure all objects are removed from the scale’s platform. Press the **ON/OFF** button to turn the scale on. The display will show “Start”, then “0.0LB” or “0.0KG”.

6. Press the **UNIT** button to select the weight mode (lb or kg).

Note: These scales will always default to the settings and units last used (lb or kg).

7. When you disconnect the scale’s AC adapter from the power source, the scale will switch to battery power if batteries are installed.

Note: If the setup procedure failed, refer to the troubleshooting instructions. If the problem is not corrected, refer to qualified service personnel.

SETUP / BATTERIES (CONTINUED)

Replacing / Inserting Batteries (2500KL / 2600KL)

1. Unplug the AC adapter from the power source.
2. Remove the battery cover on the side of the display head by unscrewing the (2) battery cover screws (see Figure 11).
3. Replace or install the batteries with new units. Health o meter recommends using an alkaline or lithium battery, rated for 130°F (54°C) operation. Do not use Zinc-Carbon batteries.
4. Re-attach the battery cover to the display assembly.

Warning: If the scale will not be used for some time, remove the batteries to avoid a safety hazard. Disposal of batteries must be performed in accordance with the prevailing national, regional or local regulations which apply to you.

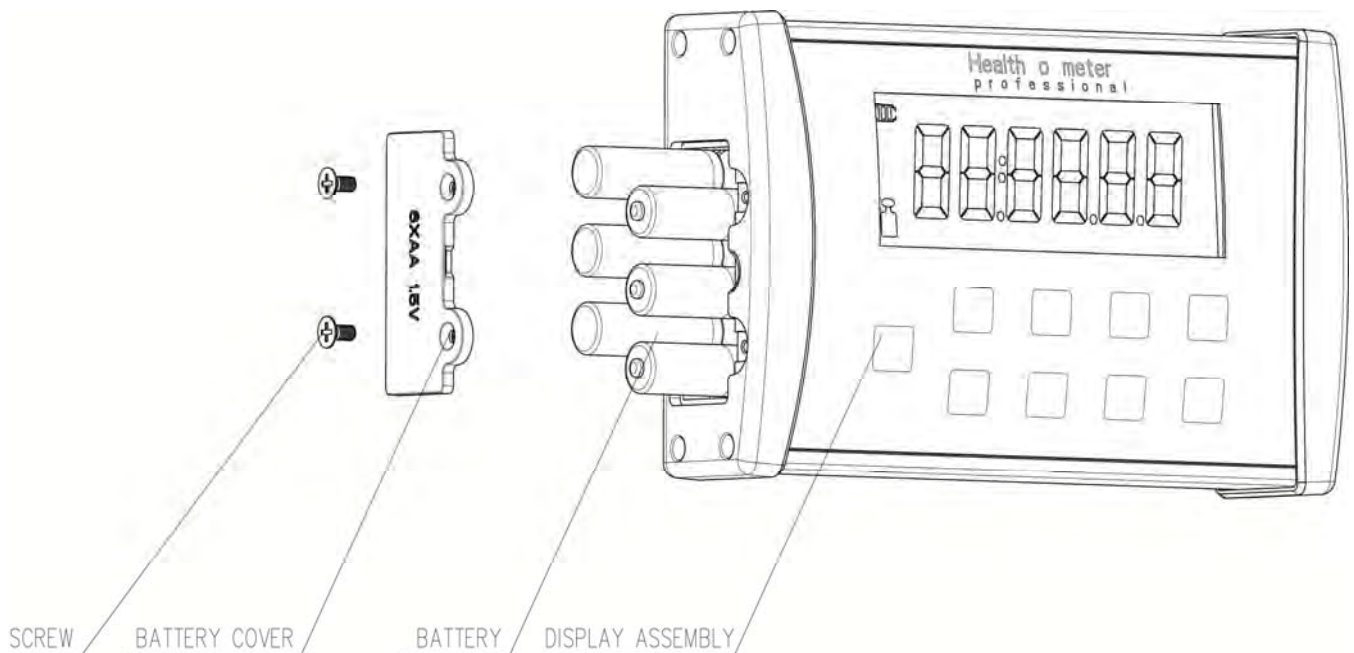


Figure 11

QUICK START / OPERATING INSTRUCTIONS

Keypad



Figure 12

Function	Description
ON/OFF	Turns scale on and off.
ZERO	Zeros the scale prior to a weighing.
HOLD/RELEASE ▶	Holds the weight value of the patient on the display until the button is pressed again to clear the value. Also moves the cursor from left to right on the display for entering height and pretare value.
BMI	Prompts entry of height data to calculate patient's Body Mass Index (BMI).
RECALL	Recalls the previous weight.
TARE/PRETARE	TARE-Tares out weight of an object on the platform. PRETARE-Prompts entry of a tare value that will be deducted from the weight on the platform. Also releases tare weight (returns display to zero).
UNIT/▲	Toggles between pounds and kilograms. Also used to increment height value and pretare value.
REWEIGH	Allows repeated weighing of the patient without stepping off the scale.
ENTER	Used to accept height value in BMI mode, and tare value in PRETARE mode. Also releases the recall value and BMI value.

QUICK START / OPERATING INSTRUCTIONS (CONT)

Tare Function

When using these scales, the weight of an object, such as a wheelchair, can be subtracted from the total weight in order to determine the weight of the patient alone. The Tare Function automatically performs this subtraction. The 2500KL and 2600KL scales allow tare weight to be entered manually by using the keypad, or automatically, as outlined in this section.

TARE

1. With all weight off the scale, press the **ON/OFF** button to turn on the scale.
2. Wait until the “0.0LB” or “0.0KG” appears on the display.
3. Place the wheelchair on the scale. The display will show a value for the wheelchair’s weight.
4. Press the **TARE** button. The scale will zero out, and the word “TARE” will appear at the bottom center of the display, indicating that there is a tare value for this patient’s wheelchair.
5. Remove the weight from the scale. Once it is removed from the scale, the display will show a negative weight, equal to the weight of the wheelchair.
6. Place the patient and wheelchair on the scale. The scale will automatically deduct the tare weight of the wheelchair from the gross weight of the patient and wheelchair together.
7. The weight of the patient will appear on the scale.
8. With no weight on the scale, the tare value will remain on the display until changed, cleared, or until the scale is turned off.
9. To remove the Tare, press the **TARE** button again. The word “TARE” will disappear from the bottom of the display, and the tare value will be cleared from the display. The scale will resume normal operation.

PRETARE (Limit 200.0 lb)

1. Make sure that there is no object on the weighing platform.
2. Press the **ON/OFF** button to turn on the scale.
3. Wait until the “0.0LB” or “0.0KG” and “ZERO” appear on the display.
4. Hold down the **TARE** button for 3 to 5 seconds. The word “TARE” will appear at the bottom center of the display, and the user will be prompted to enter the tare value.
5. Use the keypad **▶** and **▲** buttons to enter the weight of the wheelchair or other object. Press the **ENTER** button.
6. The value entered will show as a negative value on the display.

QUICK START / OPERATING INSTRUCTIONS (CONT)

7. Place the patient in the wheelchair and roll the wheelchair on the scale. The scale will automatically deduct the tare weight as entered, from the gross weight of the patient and the wheelchair.
8. The weight of the patient will appear on the scale.
9. With no weight on the scale, the tare value will remain on the display until changed, cleared, or until the scale is turned off.
10. To remove the Tare, press the **TARE** button again. The word "TARE" will disappear from the display and the tare value will be cleared from the display. The scale will resume normal operation.

Weighing a Patient

Note: When these scales are turned on, they will always default to the settings and units last used (lb or kg).

1. Make sure there is no object on the weighing platform.
2. Press the **ON/OFF** button to turn the scale on.
3. Wait until the "0.0lb" or "0.0kg" appears on the display.
4. Tare out the weight of the wheelchair, and roll the patient in the wheelchair onto the scale. The scale will begin to display weight information and will lock on the patient's weight when the stable weight of the patient is determined. Depending on the movement of the patient on the scale, it may take several seconds for the scale to lock onto the weight.

Caution: To prevent patient injury, the patient must be attended throughout the entire weighing event. Exercise caution when transporting patient onto and off of the scale.

5. Once a weight has been displayed, while the patient is still on the scale, Health o meter recommends performing a second weighing by pressing the **REWEIGH** button.
6. The weight may be held on the display by pressing the **HOLD/RELEASE** button. To release, press the **HOLD/RELEASE** button again.
7. After the weight measurement has been taken and is recorded, roll the patient off the scale.
8. Press the **ON/OFF** button to turn the scale off.

Weight Recall

The last weight reading on the scale can be recalled by pressing the **RECALL** button. To clear the display of the recalled weight, press the **ENTER** button.

Note: Clearing the recalled weight from the display will not clear the recalled weight from memory. The recalled weight will remain in memory until another weight is obtained.

QUICK START / OPERATING INSTRUCTIONS (CONT)

BMI Function

Body Mass Index is another name for Quetelet Index, a formula that is a convenient indicator of BMI with various exemptions, such as athletes, children, the elderly, and the infirm.

Note: The scale will not calculate BMI for a patient that is 24 pounds (12 kg) or less. If a height is not entered for the patient within 30 seconds of pressing the **BMI** button, the scale will return to the normal weighing mode.

1. Make sure there is no object on the weighing platform.
2. Press the **ON/OFF** button to turn the scale on.
3. Wait until the "0.0" LB or "0.0" KG appears on the display.
- 4 Ask the patient to step on the scale. The scale will begin to display weight information and will lock on the patient's weight when the stable weight of the patient is determined. Depending on the movement of the patient on the scale, it may take several seconds for the scale to lock onto the weight.
5. Once a weight has been displayed, while the patient is still on the scale, Health o meter recommends performing a second weighing by pressing the **REWEIGH** button.
6. After obtaining the patient's weight on the scale, press the **BMI** button while the scale is on.
7. The scale will prompt you to enter the patient's height. Use the keypad **▲** and **▶** buttons to enter the patient's height.

Note: When weighing in pounds, the height is displayed in inches. When weighing in kilograms, the height is displayed in centimeter.

8. Once height is keyed in, press the **ENTER** button.
9. The display will show the patient's BMI.
10. Press the **ENTER** button to return to the normal weighing mode of the scale.

MAINTENANCE

Maintenance

The following pages provide instructions for maintenance, cleaning, calibrating, and troubleshooting for the 2500KL or 2600KL scale. Maintenance operations other than those described in this manual should be performed by qualified service personnel.

Caution: Before first use, or after long periods of non-use, check the scale for proper operation and function. If the scale does not operate correctly, refer to qualified service personnel.

1. Check overall appearance of the total scale for any obvious damage, wear, and tear.
2. Inspect the AC adapter for cord cracking or fraying, or for broken/bent prongs.

Cleaning

Proper care and cleaning is essential to ensure a long life of accurate and effective operation.

Caution: Disconnect the scale from the AC adapter power source prior to cleaning the unit.

1. Clean all external surfaces with a clean damp cloth or tissue. Mild antimicrobial or antibacterial soap and water solution may be used. Dry with a clean soft cloth.
2. Do not immerse the scale into cleaning or other liquid solutions.
3. Do not use Isopropyl Alcohol or other solutions to clean the display surface.
4. Do not use abrasive cleaners.

CALIBRATION

Calibration

These scales have been factory calibrated, and does not require calibration prior to use. For maintenance, the scale can be calibrated. Calibration of your 2500KL or 2600KL scale is performed using kilograms (kg) or pounds (lb), according to the units of measure used upon entering into the calibration path. The following calibration assumes the scale is set to pounds, and 400 lb (the default weight) is employed as the calibration weight.

Scale Calibration

Operator Action	Display
1. Make sure the display is turned off, then press and hold the HOLD/RELEASE button while pressing the ON/OFF button.	"U 01" followed by a 5 digit 'idle scale count' number.
2. Press the ENTER button.	"CAL".
3. Make sure there is nothing on the scale, then press the ENTER button again.	"Clear" followed by "0400.0LB".
4. Use the ► and ▲ buttons to set the calibration weight to a value other than the default weight. The calibration weight should be as high as possible, with 400 lb as a minimum calibration weight.	Shows "400.0" or entered calibration weight.
5. Press the ENTER button.	Alternating "Load" followed by "400.0LB".
6. Load the scale with the required weight.	Display increments showing raw weight data.
7. Without touching or shaking the scale, allow the display to stabilize, then press the ENTER button.	"SUCC" or "Err1".
8. If the calibration is successful, the display will show SUCC and turn off. If the calibration is not successful, the display will show Err1 and turn off. Contact customer service for an Err1 display (+1 800-638-3722).	-----

TROUBLESHOOTING

Troubleshooting

Before contacting service personnel, refer to the following instructions to check and to correct any failures.

Symptom	Possible Cause	Corrective Action
Scale does not turn on	<ol style="list-style-type: none"> 1. Dead Battery 2. Faulty electrical outlet 3. Bad power supply 	<ol style="list-style-type: none"> 1. Replace batteries 2. Use a different outlet 3. Replace AC adapter
Questionable weight or the scale does not zero	<ol style="list-style-type: none"> 1. External object interfering with the scale 2. The display did not show "0.0" before weighing 3. Scale is not placed on a level floor 4. Scale is out of calibration 5. Improper Tare 	<ol style="list-style-type: none"> 1. Remove interfering object from the scale 2. Ask the patient to get off the scale, zero the scale and begin weighing process again 3. Place the scale on a level floor and begin weighing process again 4. Check weight with known weight value 5. Place the item to be tared on the scale. Press REWEIGH. Once the weight of the item is displayed, press TARE. Place the patient and the tared item back on the scale. Press REWEIGH again
Weighing is performed but the weighing process takes too long and the weight does not lock on the displayed	The patient is not sitting or standing still	Ask the patient to stand or sit still
The display shows "Over" message	The load on the scale exceeds the capacity (1000 lb / 454 kg)	Remove the excess weight and use the scale according to its limits
The display shows "Lo bAtt" message	The batteries are discharged	Replace batteries according to instructions

WARRANTY

Limited Warranty

What does the Warranty Cover?

Health o meter® Professional scales are warranted from date of purchase against defects of materials or in workmanship for a period of two (2) years. If product fails to function properly, return the product, freight prepaid and properly packed to Pelstar, LLC (see "To Get Warranty Service", below, for instructions). If the manufacturer determines that a defect of material or in workmanship exists, the customer's sole remedy will be repair or replacement of the scale at no charge. Replacement will be made with a new or remanufactured product or component. If the product is no longer available, replacement may be made with a similar product of equal or greater value. All parts including repaired and replaced parts are covered only for the original warranty period.

Who is Covered?

The original purchaser of the product must have proof of purchase to receive warranty service. Please save your invoice or receipt. Pelstar dealers or retail stores selling Pelstar products do not have the right to alter, or modify or any way change the terms and conditions of this warranty.

What is Excluded?

Your warranty does not cover normal wear of parts or damage resulting from any of the following: negligent use or misuse of the product, use on improper voltage or current, use contrary to the operating instructions, abuse including tampering, damage in transit, or unauthorized repair or alternations. Further, the warranty does not cover natural disasters, such as fire, flood, hurricanes and tornadoes. This warranty gives you specific legal rights, and you may also have other rights that vary from country to country, state to state, province to province or jurisdiction to jurisdiction.

To get Warranty Service make sure you keep your sales receipt or document showing proof of purchase. Call (+1) 800-638-3722 or (+1) 708-377-0600 to receive a return authorization (RA) number, which must be included on the return label. Attach your proof of purchase to your defective product along with your name, address, daytime telephone number and description of the problem. Carefully package the product and send with shipping and insurance prepaid to:

Pelstar, LLC
Attention R/A# _____
Return Department
9500 West 55th Street
McCook, IL 60525

If your scale is not covered by warranty, or has been damaged, an estimate of repair costs or replacement costs will be provided to you for approval, prior to servicing or replacing.



PELSTAR, LLC

9500 West 55th Street • McCook, IL 60525 • USA

1-800-638-3722 or 1-708-377-0600

PLEASE REGISTER YOUR SCALE FOR WARRANTY COVERAGE AT:
<http://www.homscales.com/customers/registration.aspx>

Health o meter® is a registered trademark of Sunbeam Products, Inc. used under license.

Health o meter® Professional products are manufactured, designed, and owned by Pelstar, LLC.

We reserve the right to improve, enhance, or modify Health o meter® Professional product features or specifications without notice.

© Pelstar, LLC 2013



P/N UM2500KL / 2600KL Rev 2-031913