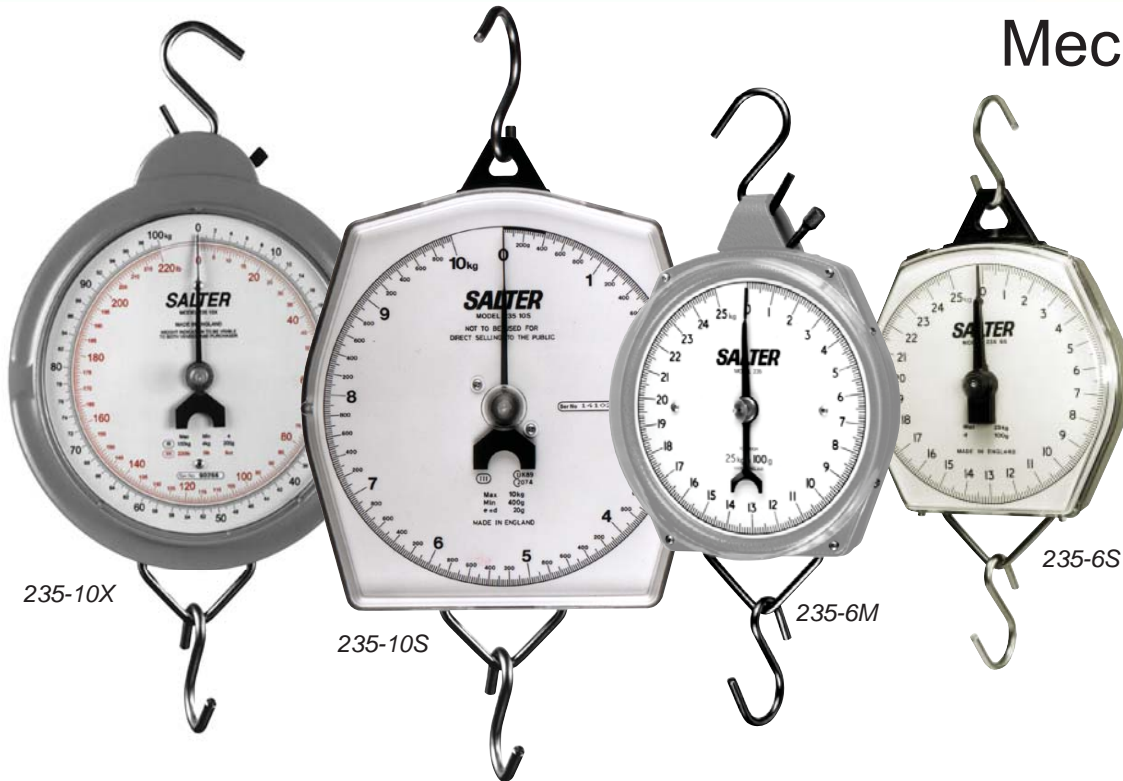


235 Series

Mechanical



- Robust
- Accurate
- Reliable
- Portable
- Dual Markings Available for Metric and Avoirdupois
- Low Cost
- Easy-to-Read
- Corrosion Resistant
- Capacities- 1 kg / 11 lb to 300 kg / 660 lb

VALUE IN
WEIGHING



235 Series

Model 235-6S

Compact, robust and corrosion resistant, 150 mm / 6" diameter dial housed in a tough ABS plastic case with shatterproof polycarbonate dial cover. Low friction acetal bearings provide positive movement to give maximum sensitivity. Accurate to one part in 250 with up to 15% zero adjust. Supplied with top and bottom hooks.

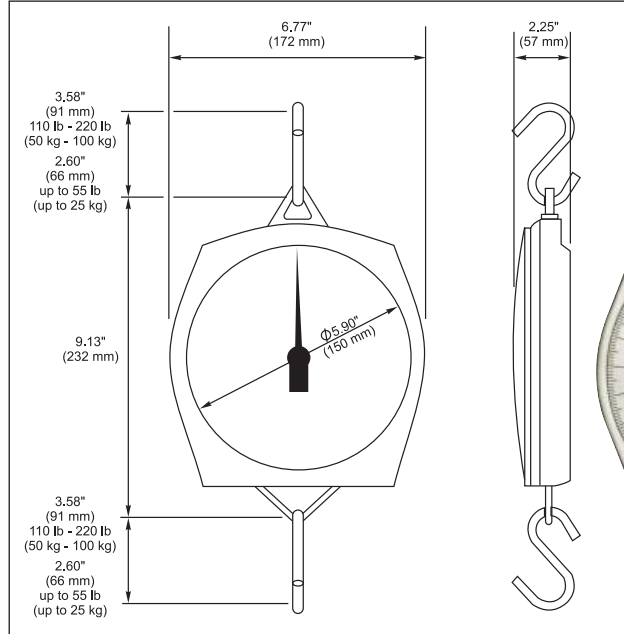
Option: Oblong pan (5 kg / 11 lb only)

Single Marked

- 5 kg x 20 g
- 10 kg x 50 g
- 25 kg x 100 g
- 50 kg x 200 g
- 100 kg x 500 g

Dual Marked

- 5 kg x 20 g / 11 lb x 1 oz
- 10 kg x 50 g / 22 lb x 2 oz
- 25 kg x 100 g / 56 lb x 4 oz
- 50 kg x 200 g / 110 lb x 8 oz
- 100 kg x 500 g / 220 lb x 1 lb



Model 235-6M

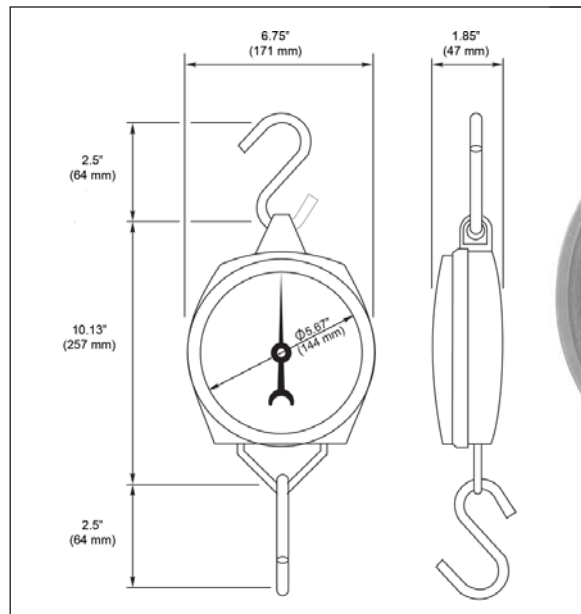
Compact, robust, 150 mm / 6" diameter dial housed in the traditional metal case. Accurate to one part in 250 with up to 10% zero adjustment. Supplied with top and bottom hooks.

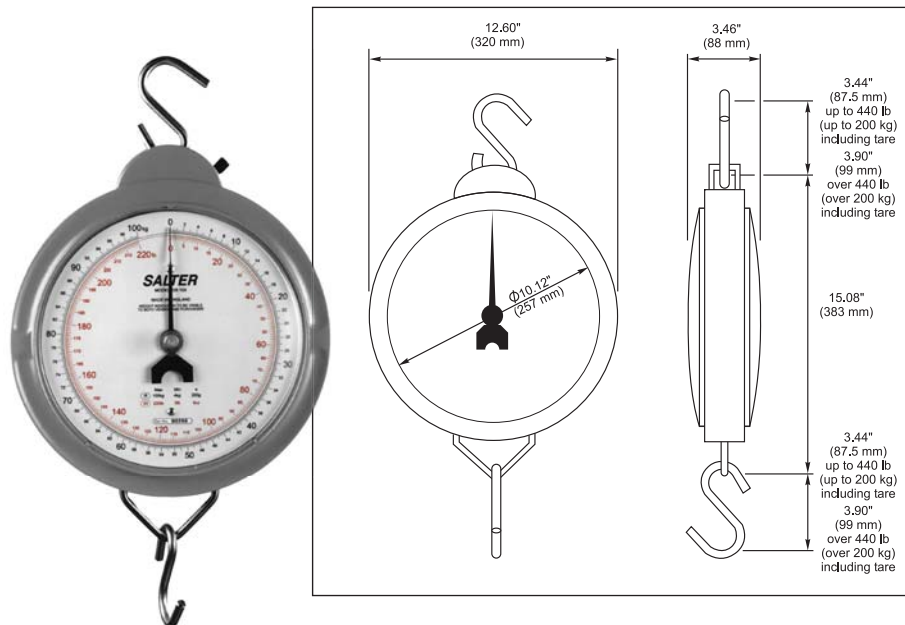
Single Marked

- 1 kg x 5 g
- 2 kg x 10 g
- 5 kg x 20 g
- 10 kg x 50 g
- 25 kg x 100 g
- 50 kg x 200 g
- 100 kg x 500 g
- 200 kg x 1 kg

Dual Marked

- 5 kg x 20 g / 11 lb x 1 oz
- 10 kg x 50 g / 22 lb x 2 oz
- 25 kg x 100 g / 56 lb x 4 oz
- 100 kg x 500 g / 220 lb x 1 lb





Model 235-10X

Heavy duty suspended scale. Easy to read dial housed in a robust die cast casing. Low friction bearings provides positive movement to give maximum sensitivity. Accurate to one part in 500 with up to 10% zero adjustment. Supplied with top and bottom hooks as standard.

Single Marked

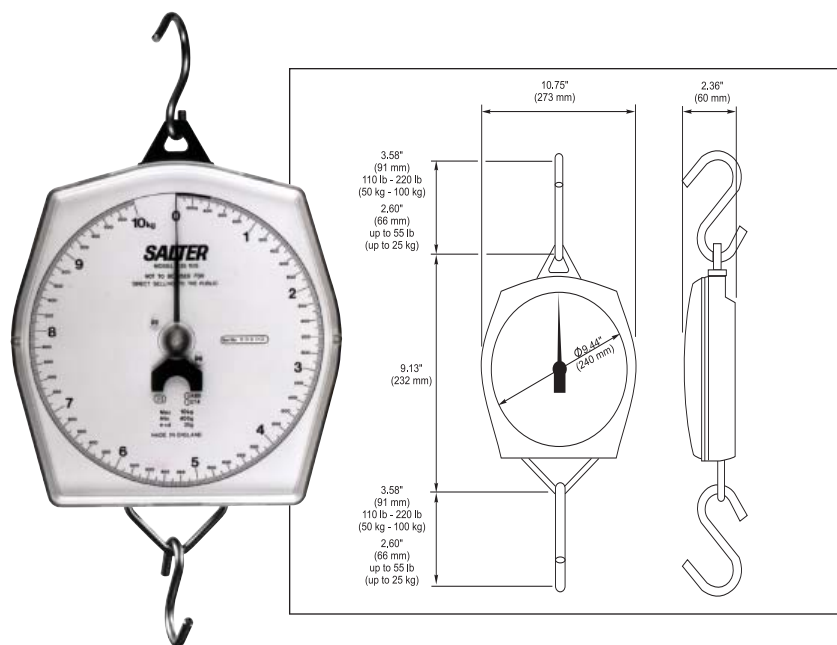
100 kg x 200 g
200 kg x 500 g
300 kg x 1 kg

Dual Marked

200 kg x 500 g / 440 lb x 1 lb

With Double Lipped Scoop

5 kg x 10 g



Model 235-10S

Robust and corrosion resistant, large easy to read 254 mm diameter dial housed in a tough ABS plastic case with a shatterproof polycarbonate dial cover. Low friction bearings provide positive movement to give maximum sensitivity. Accurate to one part in 500 with up to 15% zero adjust. Supplied with top and bottom hooks.

Option - Oblong pan (5 kg / 11 lb only)

Single Marked

5 kg x 10 g
10 kg x 20 g
25 kg x 50 g
50 kg x 100 g
100 kg x 200 g

Options

**5 kg / 11 lb Oblong Stainless Steel Pan**

(Can be supplied with 235-6S & 235-10S only)

Dual Marked

235-6S 5 kg x 20 g / 11 lb x 1 oz

235-10S 5 kg x 10 g / 11 lb x ½ oz

5 kg Double Lipped Stainless Steel Scoop

Can be supplied with 235-10X

	Metric
235-10X	5 kg x 10 g

**Brecknell**

1000 Armstrong Dr., Fairmont, MN 56031
 Toll free: 800-637-0529, Tel: 507-238-8702
 Fax: 507-238-8271
 e-mail: sales@brecknellsscales.com
www.brecknellsscales.com

**Brecknell**

Foundry Lane, Smethwick
 West Midlands B66 2LP UK
 Tel: +44 (0) 845 246 6717
 Fax: +44 (0) 845 246 6718
 Email: sales@brecknellsscales.co.uk
www.brecknellsscales.co.uk

