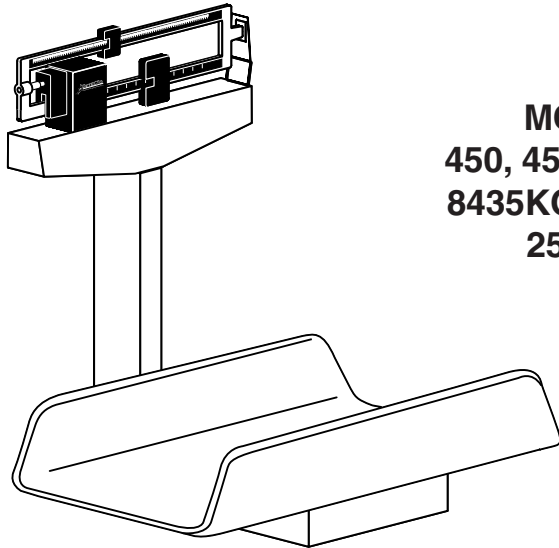




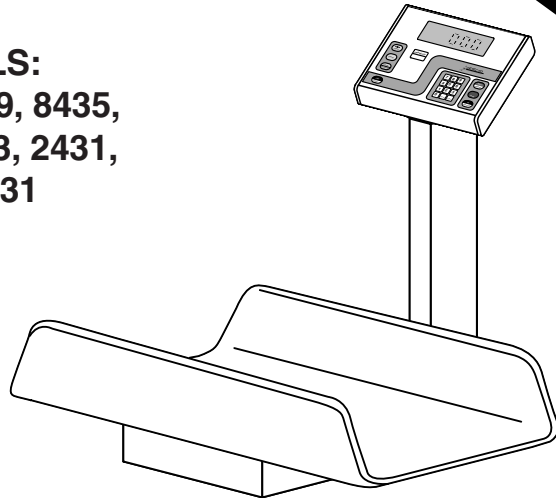
PRODUCT SPECIFICATIONS

PEDIATRIC & INFANT SCALES



MODELS:

**450, 451, 459, 8435,
8435KG, 243, 2431,
253, 2531**

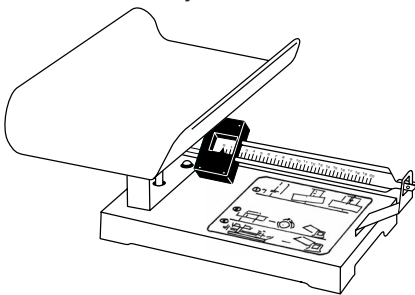


Models 450 - 451 - 459

450 Capacity: 130 lb x 1 oz
 451 Capacity: 65 kg x 20 g
 459 Capacity: 40 lb x .5 oz/17.5 kg x 10 g
 Ship Wt: 33 lb
 Tray: 22" x 14 3/4" x 4 1/2" washable polystyrene
 Dimensions: 27" H x 22" W x 21" D
 Color: White
 Heavy-duty rust resistant understructure, die-cast easy-to-read beam

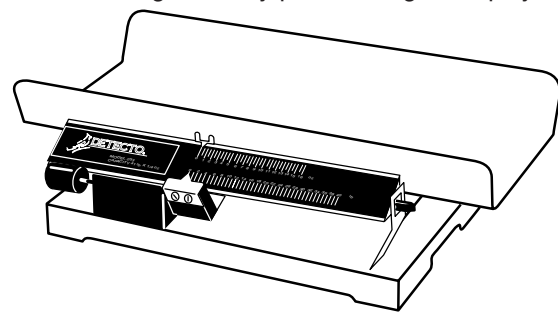
Models 8435 - 8435 kg

8435 Capacity: 130 lb x .1 lb/40 kg x .02 kg
 Ship Wt: 33 lb
 8435KG Capacity: 40 kg x .02 kg
 Ship Wt: 38 lb
 Tray: 22" x 14 3/4" x 4 1/2" washable polystyrene
 Dimensions: 20 1/4" H x 22" W x 22" D
 Color: White
 Heavy-duty rust resistant understructure, easy-to-read .7" high, battery powered digital display



Models 243 - 2431

243 Capacity: 20 lb x 2 oz
 2431 Capacity: 10 kg x 50 g
 Ship Wt: 21 lb
 Tray: 19" x 10 3/4" x 2 1/2" baked enamel
 Dimensions: 10 1/2" H x 21" W x 19" D
 Color: White



Models 253 - 2531

253 Capacity: 41 lb x .25 oz
 2531 Capacity: 20.5 kg x 10 g
 Ship Wt: 27 lb
 Tray: 24" H x 11 1/2" W x 2 3/4" D baked enamel
 Dimensions: 6 3/4" H x 24" W x 13 3/4" D
 Colors: white and optional champagne

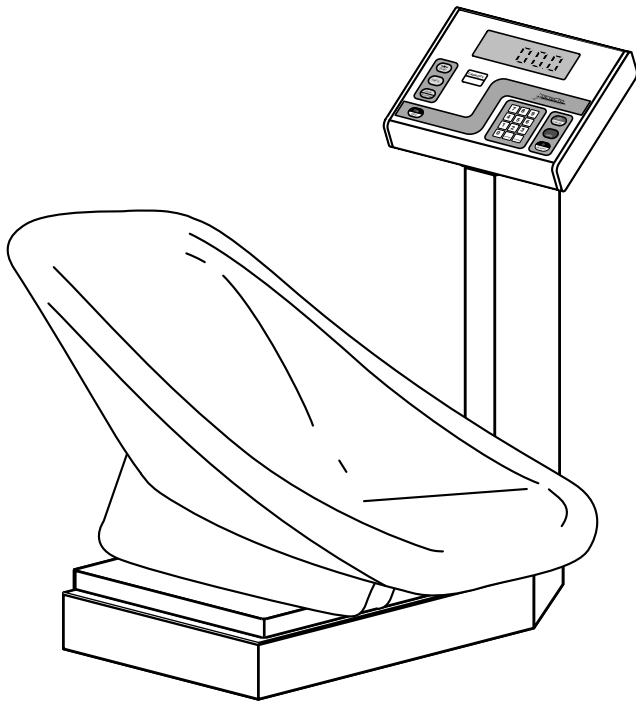
Springless balance beam, easy-to-read - blue graduations and numerals on white background

Easy-to-read springless balance beam

Cardinal Scale reserves the right to improve, modify, or enhance features and specifications without prior notice.



Tot Weighers in Your Choice of Digital or Mechanical

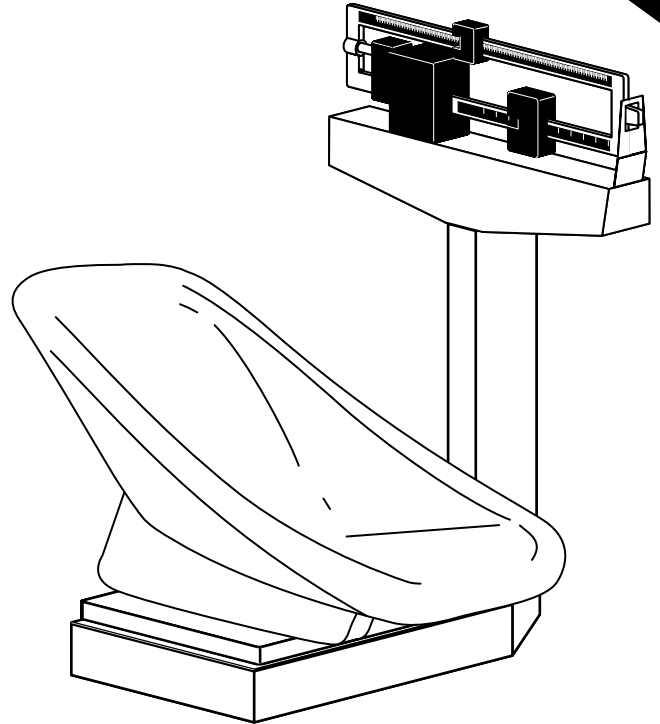


Model 8432-CH Digital Tot Weigher

- High contrast, digital display
- Soft, foam padded, inclined chair seat slips on and off
- Nonskid pads
- Heavy-duty, rust-resistant understructure
- Heavy steel base and precision lever system
- Digital head can rotate 90½ to either side
- Auto zero, auto shutoff, sleep, filtering, lock/release

Specifications

Capacity: 44 lb x .05 lb/20 kg x .02 kg (20g)
Display: .7" high-contrast LCD
Power: 6 "C" size Alkaline batteries (not included)
Color: White with gray pad
Options: 110 VAC in lieu of battery operation



Model 459-CH Mechanical Tot Weigher

- Die-cast, dual-reading beam
- Soft, foam padded, inclined chair seat slips on and off
- Nonskid pads
- Heavy-duty, rust-resistant understructure
- Heavy steel base and precision lever system

Specifications

Capacity: 40 lb x .5 oz/17.5 kg x 10g
Display: Dual reading beam
Color: White with gray pad



Cardinal Scale reserves the right to improve, modify, or enhance features and specifications without prior notice.

