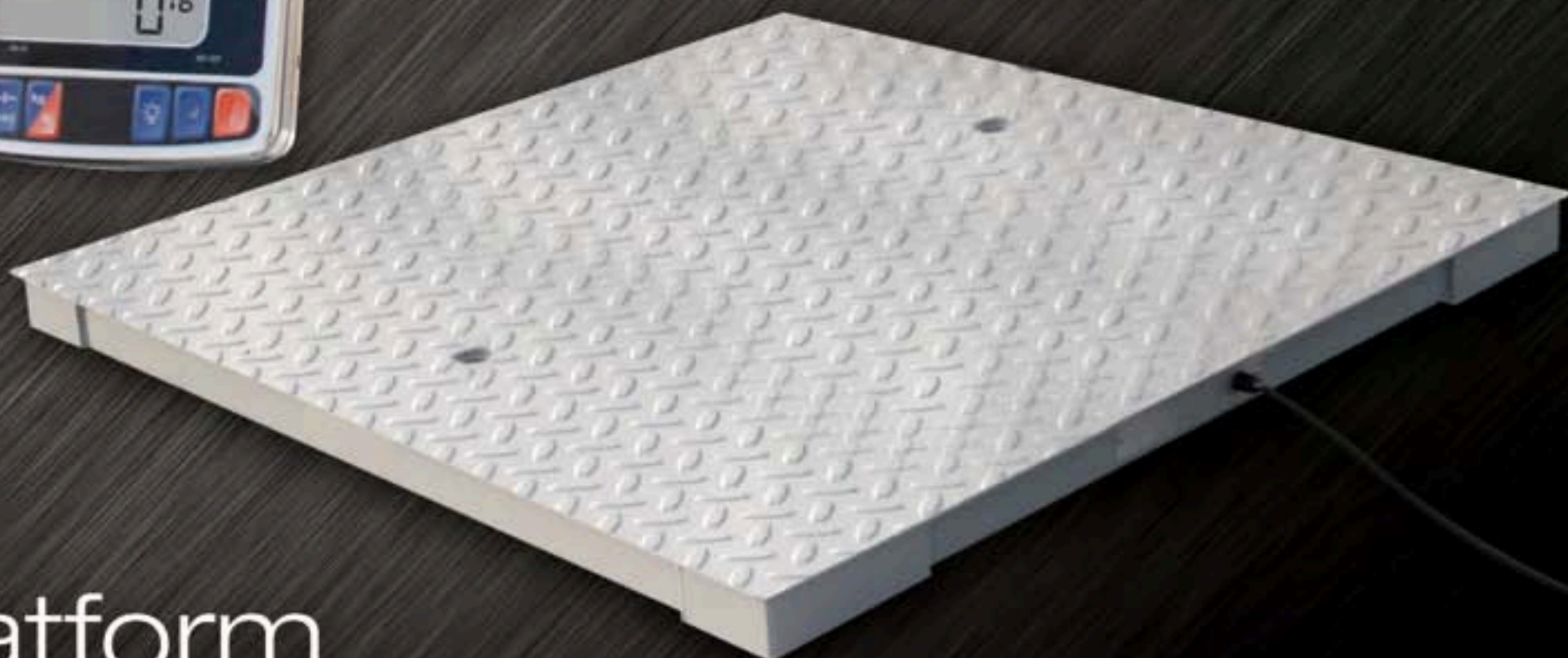




Designed for  
**Rough Handling**



# Platform Floor **Scale**

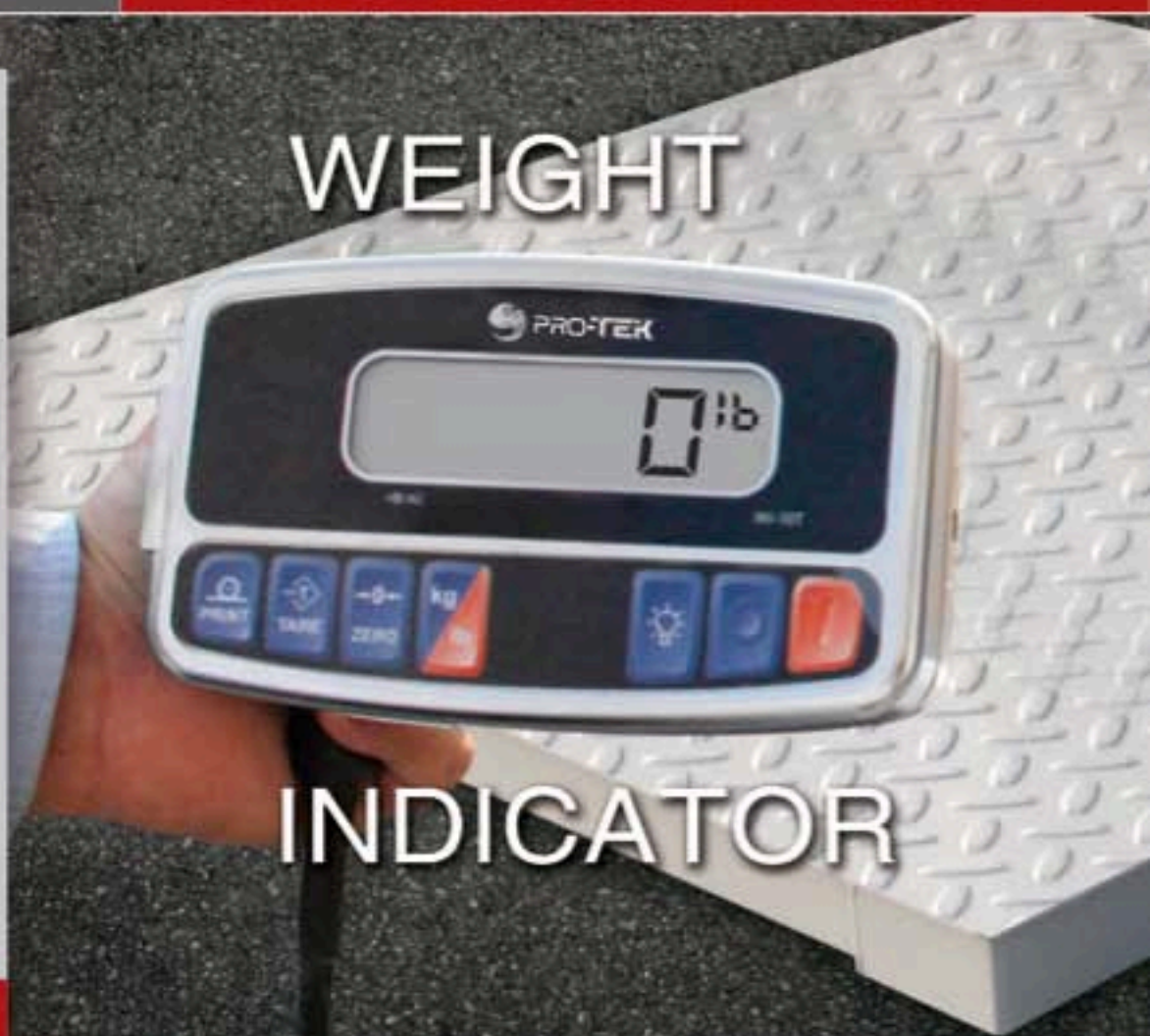
PLP SERIES

CAPACITIES: 5,000 and 10,000 lb

## Low Profile Platforms

**SERIES**  
**PLP**

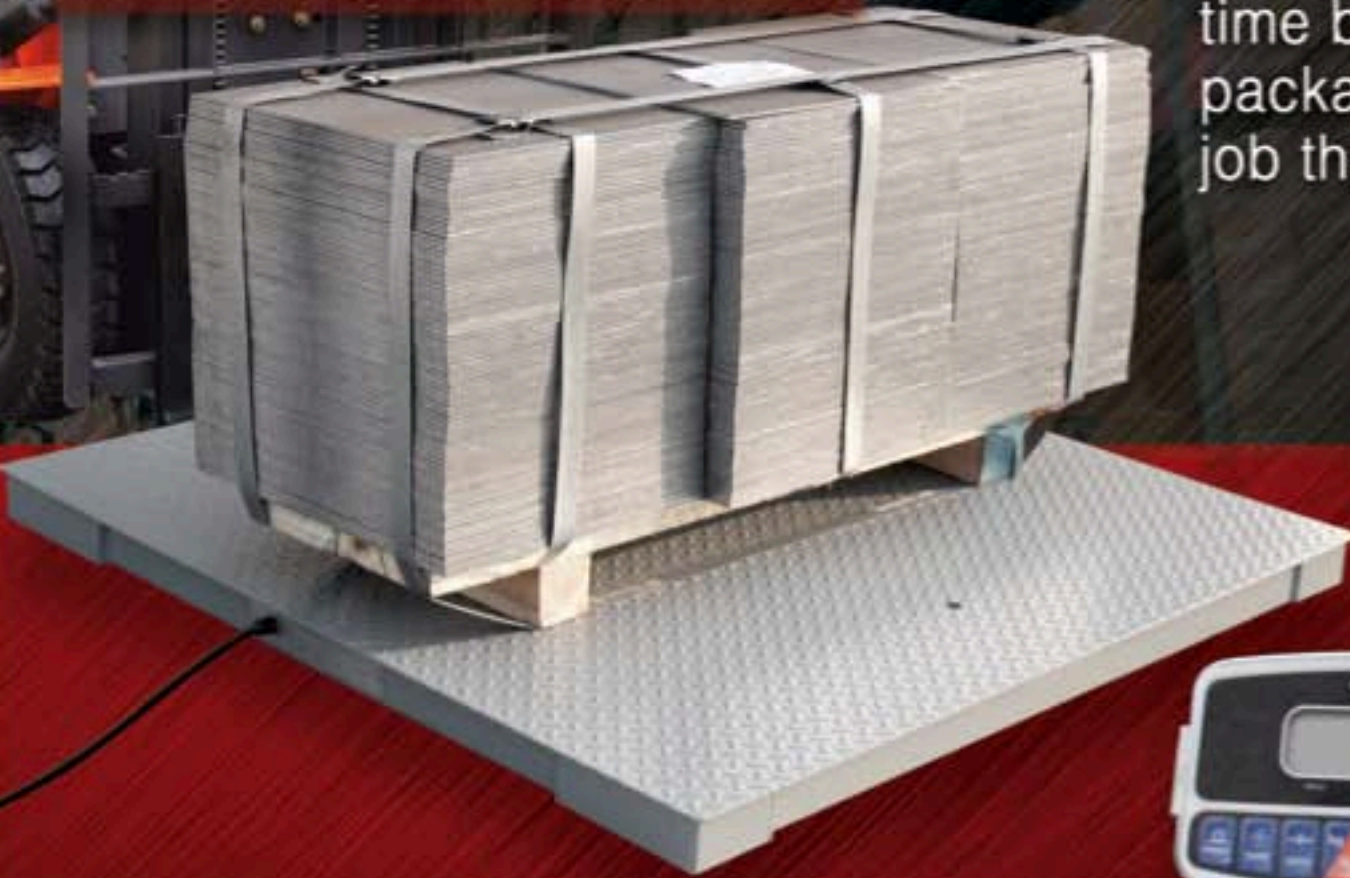
- Built to support the roughest handling.
- Save money verifying the weight of inputs and outputs of your materials.
- Save time by weighing complete packages.



# Electronic Platform Floor Scale

## PLP SERIES

The PLP Series Floor Scales allow you to complete the work in less time by weighing complete packages. It is built for heavy duty job that your business requires.

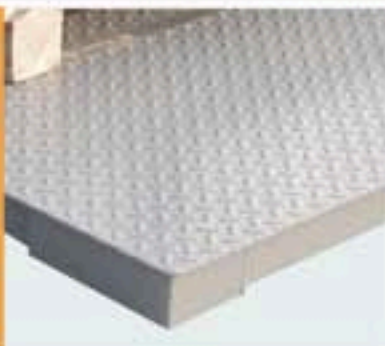


Ideal for:

- Industry / Factories
- Aluminum and Steel foundries
- Warehouses
- Printing houses
- Recycling facilities
- Shipping/Receiving

### FEATURES

#### HEAVY DUTY



Platform structure build of carbon steel and Anti-Skid Diamond Plate Deck.

#### CONTROL



Easy communication to PC / printer by serial port (RS-232), making this indicator ideal for a variety of weighting applications.

#### RESISTANCE



With structure-based steel channels, distribute the weight of the goods on your scale for maximum strength, guaranteeing you weighings always accurate.

#### SAFETY



The PLP scales have four feet on each corner to fit surfaces due to its swivels, ensuring exact heavy measure.

### BENEFITS

#### CONTROL INPUTS AND OUTPUTS

Perfect for the receipt and dispatch of goods, ensuring accurate packet always without losing money.

#### PERFECT SIZE FOR EVERY NEED

Designed in standart pallet measures of 4 x 4 ft (1.20 x 1.20m) and large 5 x 5 ft (1.50 x 1.50 m)

#### SAVE MONEY

With capacities of 5,000 lb and 10,000 lb, weight everything in one single step saving time and money.

### PIT OR RAMP INSTALLATION



#### PIT INSTALLATION

Save space and easily handle weighting with an installation at ground level.



#### RAMP INSTALLATION

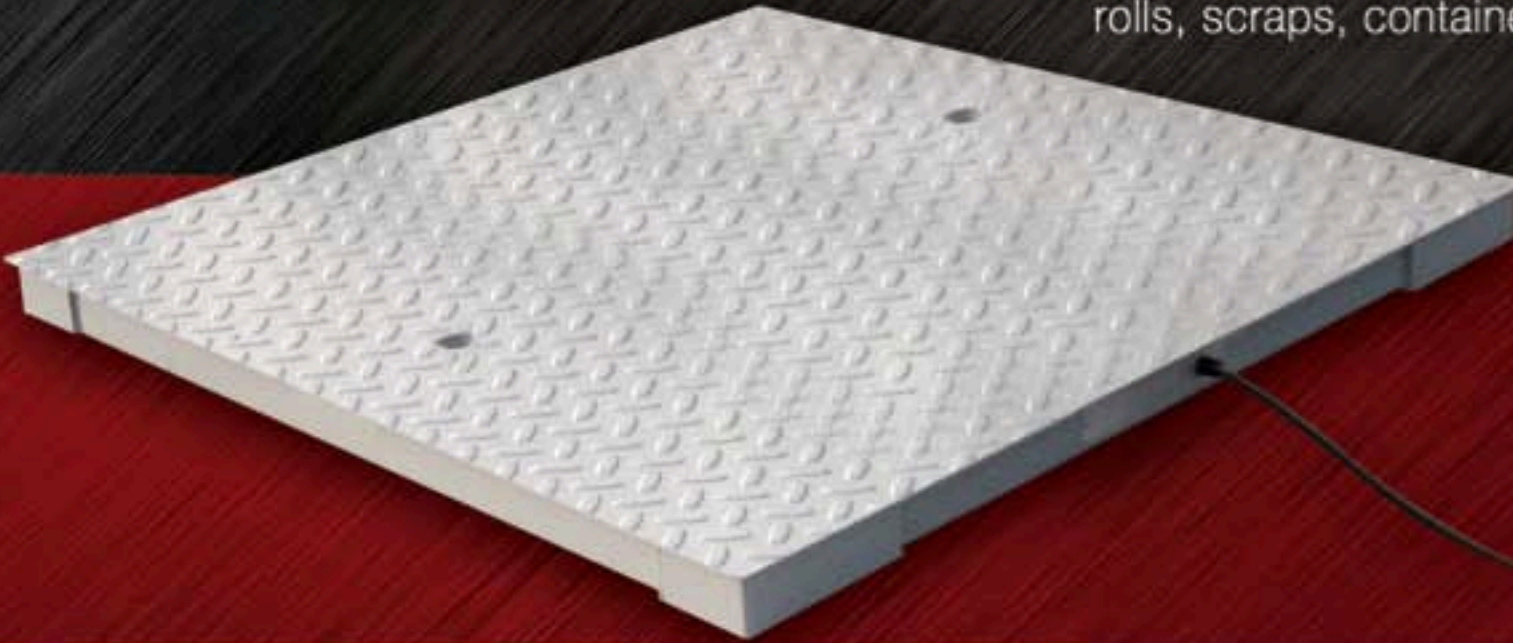
Save time and ease scale access with the steel ramps for PLP series.

# One Scale For Any Need



## Heavy Duty:

Platform structure build of carbon steel and Anti-Skid Diamond Plate Deck. Perfect for weighting pallets, rolls, scraps, containers and more.

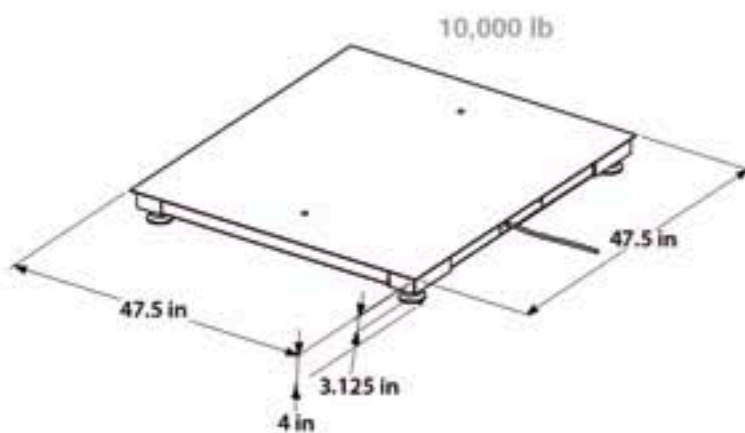


### TECHNICAL SPECIFICATIONS

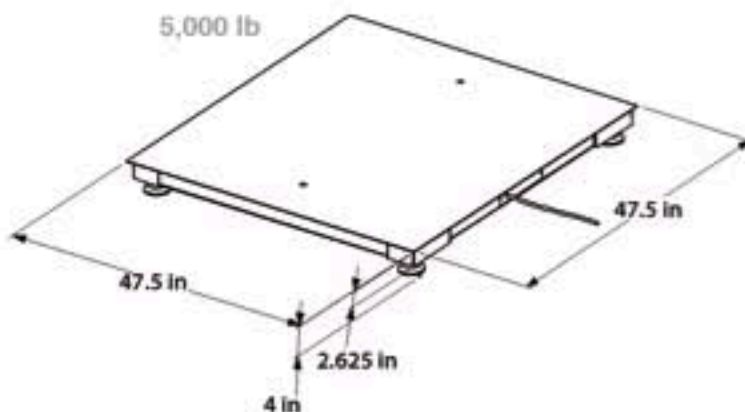
	PLP 4X4		PLP 5X5	
Capacities	2500 kg / 5000 lb	5000 kg / 10000 lb	2500 kg / 5000 lb	5000 kg / 10000 lb
Readability	0.5 kg / 1 lb	1 kg / 2 lb	0.5 kg / 1 lb	1 kg / 2 lb
Plate Deck	Anti-Skid Diamond Carbon Steel			
High Tare	2500 kg / 5000 lb	5000 kg / 10000 lb	2500 kg / 5000 lb	5000 kg / 10000 lb
Operating Temperature	-10 a 40°C (14 a 104°F)			
Storage Temperature	-20 a 50°C (-4 a 122°F)			
Electric Current	100 / 240 Vca 50 / 60 Hz a 500mA			
Heavy Duty Cable	Included			
Ship Weight	68 kg / 150 lb	79 kg / 175 lb	109 kg / 240 lb	109 kg / 240 lb

### EXTERIOR DIMENSIONS

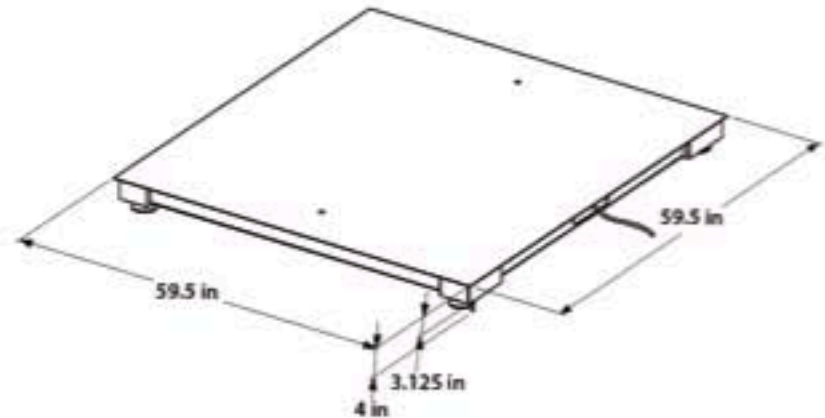
PLP 4 X 4



5,000 lb



PLP 5 X 5 10,000 y 5,000 lb



### DISTRIBUTED BY:



ALL INFORMATION MAY CHANGE WITHOUT A NOTICE.